

# CCS Technical Documentation

## NPM-8 Series Transceivers

## 2. General Information



**Contents**

	<b>Page No</b>
Product Selection .....	5
Handportables .....	5
Desktop Options .....	6
Advanced Car Kit (CARK-134) .....	7
Express Car Kit (CARK-125) .....	8
Product List .....	9
Module List .....	10
Technical Specifications .....	10
General Specifications of Transceiver NPM-8 .....	10



## Product Selection

### Handportables

NPM-8 is a dual band, single mode radio transceiver for GSM850/1900 networks in the Americas region. The transceiver belongs to GSM850 power class 4 with maximum output power of 2W and GSM1900 power class 1 with maximum output power of 1 W.

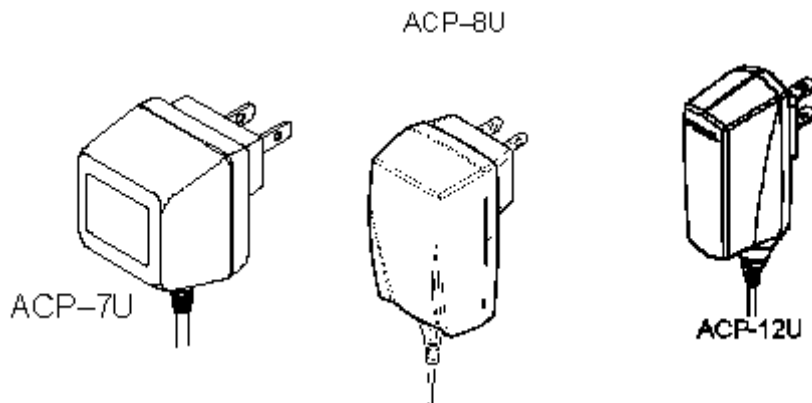
On the internal module level, NPM-8 consists of a system/radio module, assembly parts and software module, which is programmed into a flash memory chip, located in the system/radio module.

The user interface has a graphical display, keypad, speaker, microphone, polyphonic speaker for ringing tones and internal vibrator. External handsfree units and battery chargers can be connected to the transceiver via a bottom connector. All parts of the user interface are located in the internal module, except for the keymat.



**Desktop Options**

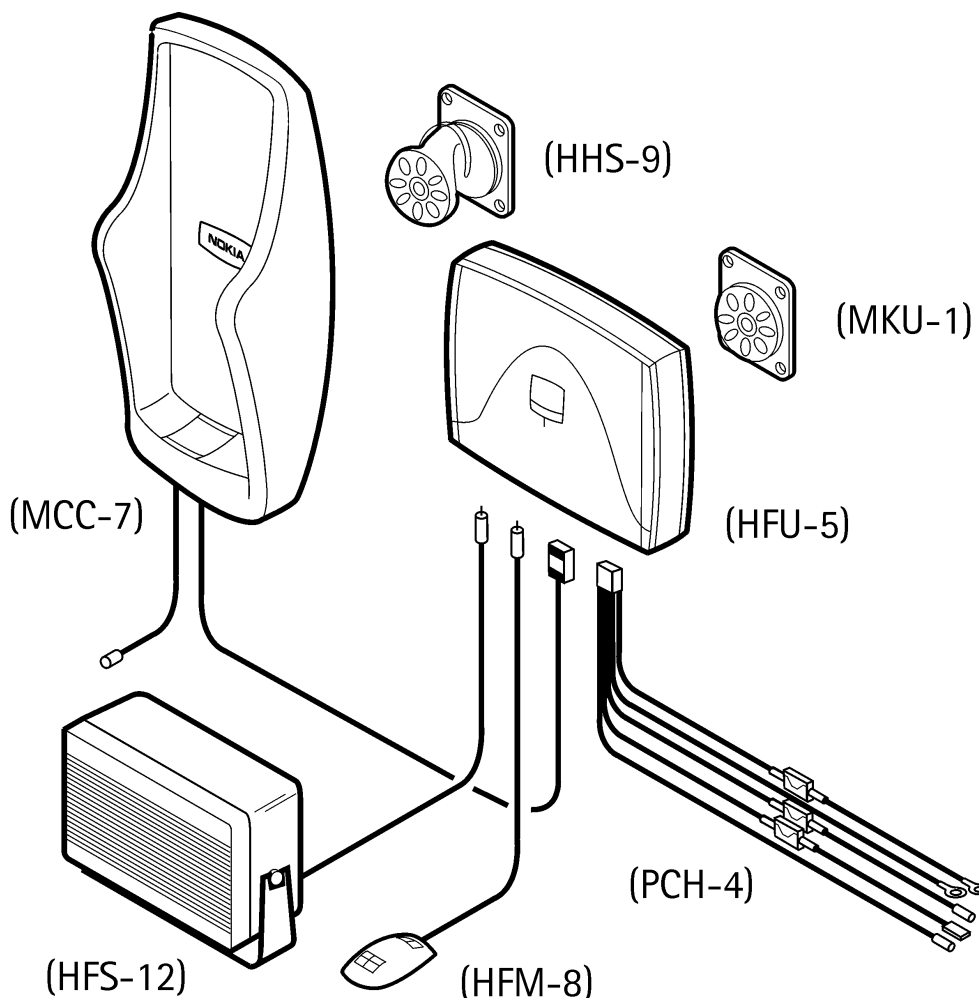
The desktop options allows the user to charge the phone from the mains.



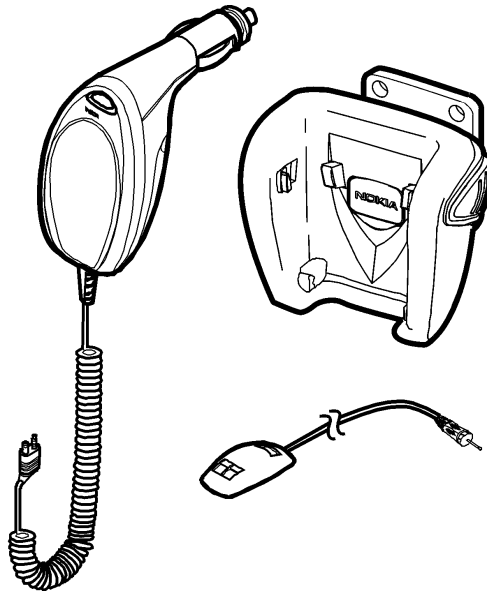
**LCH-9**

Name:	Type Code:	Material Code:
Transceiver	See Product Variants	
Battery (825 mAh lithium ion)	BLC-1	0670428
AC Travel Charger (US plug) 108-132 Vac	ACP-7U	0675143
Performance Travel Charger US plug 90-264 Vac	ACP-8U	0675196
Travel Charger (U.S.)	ACP-12U	0675303
Cigarette Lighter Charger	LCH-9	0675120

**Advanced Car Kit (CARK-134)**



Item	Name	Type Code	Material Code
1	Transceiver	(See Product Variants section)	
2	Advanced Active Mobile Holder	MCC-7	0650052
3	Advanced Handsfree Unit	HFU-5	0674091
4	Handsfree Microphone	HFM-8	0690016
5	External Handsfree Speaker	HFS-12	0692008
6	Power Cable	PCH-4	0730009
7	Swivel Mount	HHS-9	0620037
8	Mounting Plate	MKU-1	0620036

**Express Car Kit (CARK-125)**

Item	Name	Type Code	Material Code
1	Transceiver	(See Product Variants section)	
2	Passive Mobile Holder	MBC-6	0650026
3	Plug and Play Basic Car Kit	PPH-1	0675182



## Product List

Unit/type:	Product code:
Transceiver NPM-8	See Product Variants
Battery BLC-1 825mAH Li-ion	0670428
Battery BLC-2 950 mAh Li-ion	0670343
AC Travel Charger ACP-7U (US) 108-132 Vac	0675143
Performance Travel Charger ACP-8U (US) 90-264 Vac	0675196
Travel Charger ACP-12U (U.S.)	0675303
Mobile Charger LCH-9	0675120
Battery Charging Stand DDC-1	0675243
Desktop Stand DCV-10	0675229
Headset Kit HDC-5	0694059
Headset HDE-2	0694075
Dual Headset with two earpieces HDD-1	0694088
Boom Headset HDB-5	0694107
Express Car Kit CARK-125	0080381
Advanced Car Kit CARK-134	0080641
Accessibility Loopset LPS-3	0272512
Mobile Holder MBD-10	0650035

## Module List

Name of module	Type code:	Material code:	Notes
Basic transceiver	NPM-8	0506077	Basic TR and recess for logo plate
ATO Basic transceiver	NPM-8	0507550	
Custom transceiver	NPM-8	0508439	
- Engine module	EN-9		
- A-cover assembly parts	N/A	9494101	
- B-cover assembly parts	N/A	9494108	
Continuous sheet (blank type label)	N/A	9381179	
Keymat assembly	N/A	9794055	

## Technical Specifications

### General Specifications of Transceiver NPM-8

Parameter	Value and unit	Value and unit
Cellular system	GSM 850	GSM 1900
RX frequency band	869.2 ... 893.8 MHz	1930.2 ... 1989.8 MHz
TX frequency band	824.2 ... 848.8 MHz	1850.2 ... 1909.8 MHz
Output power	+5 ... +33dBm/3.16 mW ... 2W	+0 ... +30 dBm/1.0 mW ... 1 W
Duplex spacing	45 MHz	80 MHz
Number of RF channels	124	299
Channel spacing	200 kHz	200 kHz
Number of TX power levels	15	16
Sensitivity, dBm	-102 dBm	-102 dBm
Frequency error, static channel	< 0.1 ppm	< 0.1 ppm
RMS phase error	< 5.0	< 5.0
Peak phase error	< 20.0	< 20.0